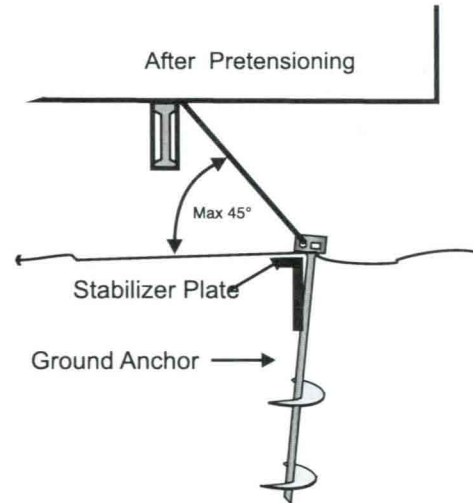
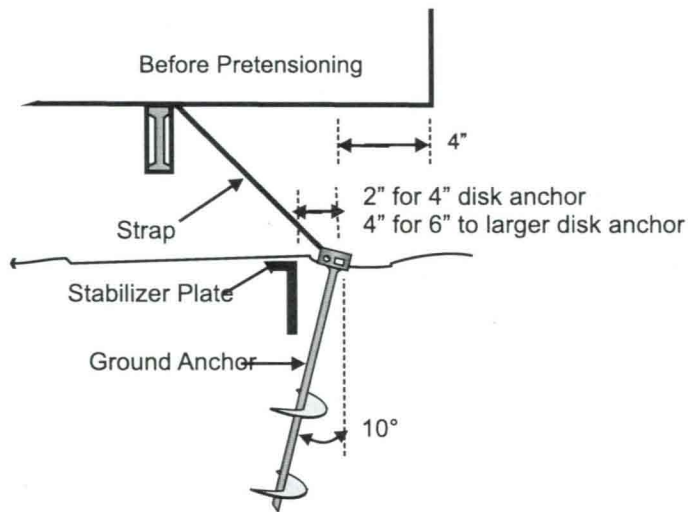


MINUTE MAN ANCHORS, INC.

INSTRUCTION FOR USING MINUTE MAN STABILIZING DEVICE

Minute Man stabilizing devices are designed for use with Minute Man anchors and intended to laterally restrict movement of the anchor through the soil.



1. Place the anchors approximately four inches to the inside of the exterior wall line of the home or a sufficient distance to avoid interference with the skirting (see above)
2. Hold the anchor at an angle of approximately 10 degrees off of vertical so that the head of the anchor is just outside the sidewall (see above)
3. Install the anchor to a depth of approximately one-third (1/3) the anchor length.
4. Place a stabilizer plate to the inside of the anchor shaft (side of shaft toward center of house) and the distance indicated from the shaft.
5. Drive the stabilizer plate into the ground until the top of the plate is 1" below the surface of the ground.
6. Install the anchor to its full depth.
7. Pretension the anchor by pulling it up to the stabilizer plate. Pull the anchor approximately 1/2 inch more while it is in contact with the plate using the strap and take-up bolt to move the anchor head.